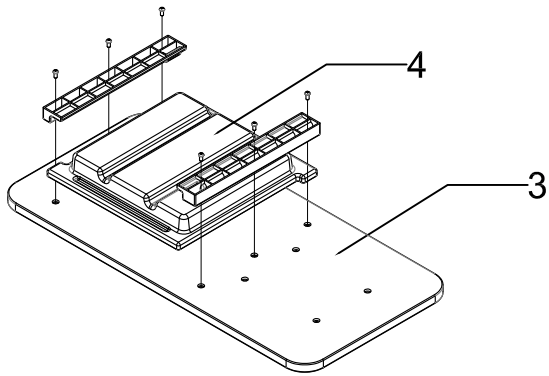
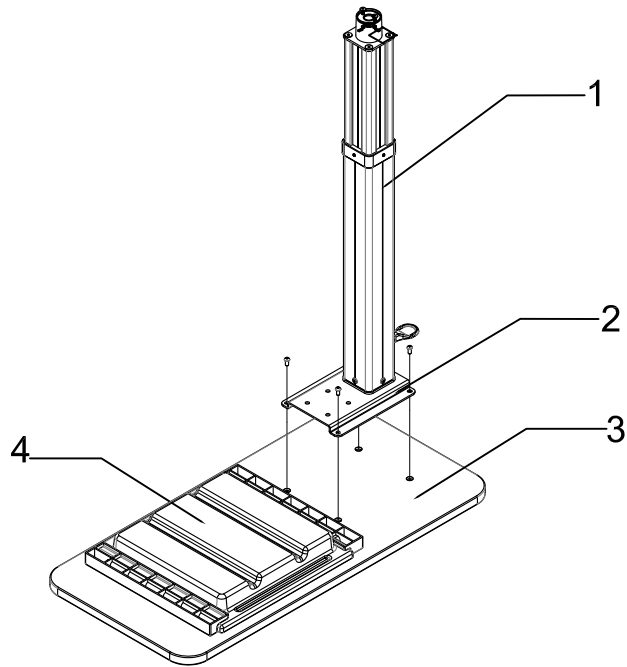


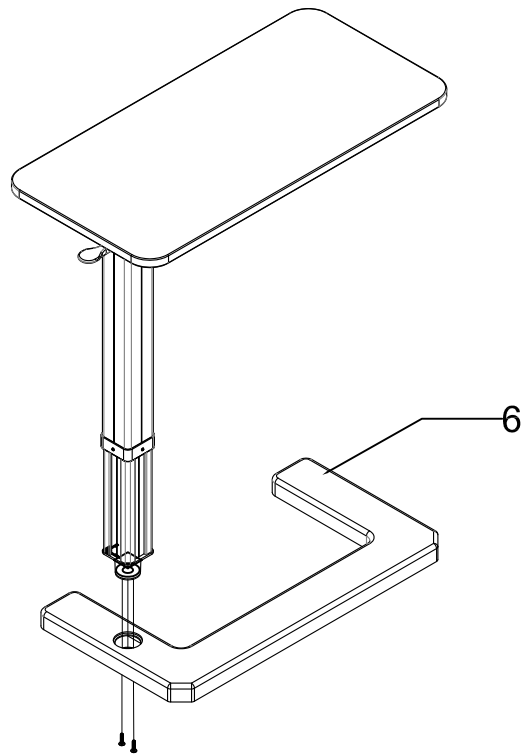
#60256C LOW-PROFILE C-SHAPED MOBILE BASE OVERBED TABLE INSTALLATION GUIDE



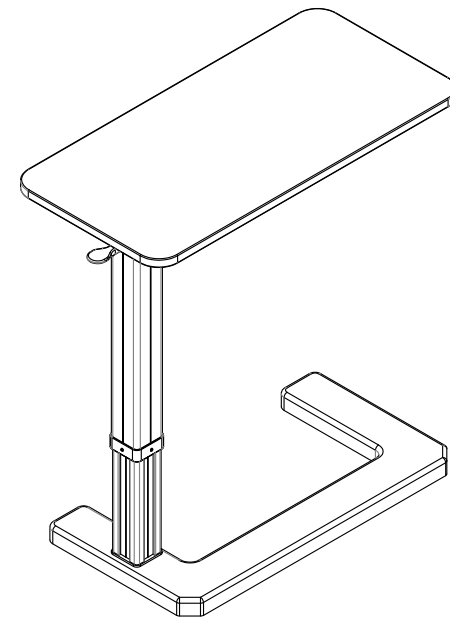
Item	Part Number	Description	Quantity
1	#23-46	Aluminum covered gas cylinder assembly	1
2	P23-40-05CB	Metal support bracket (with 4 x M6 screws)	1
3	#24-55C	Melamine faced chipboard platform	1
4	P24-55-04	Two way drawer (with slides & 6 x M6 screws)	1
5	#25-61	Low-profile, C-shaped mobile base	1



1



2



3