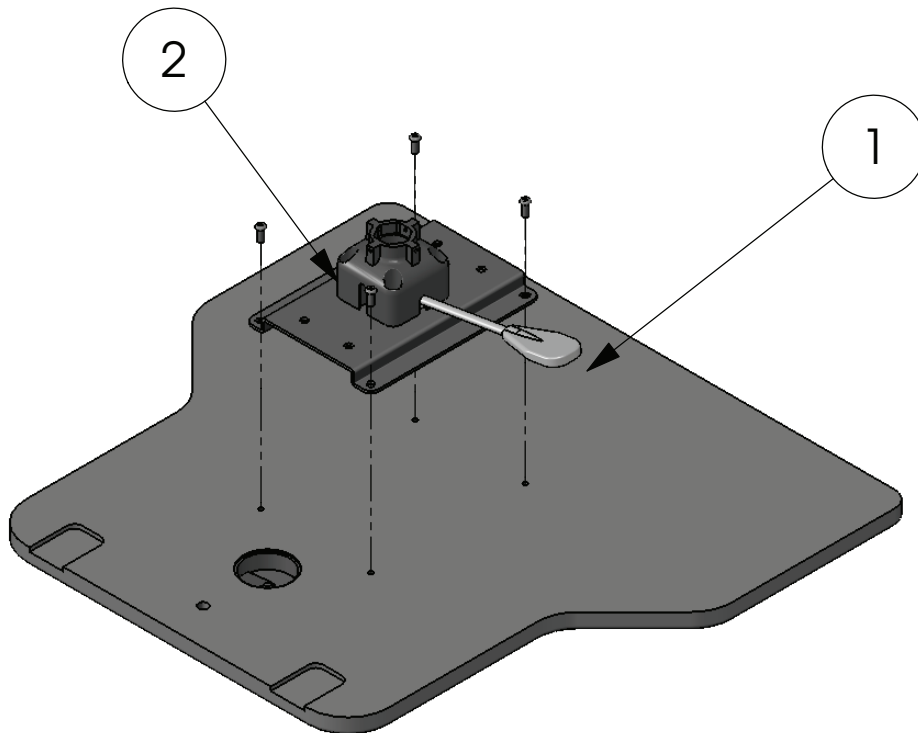
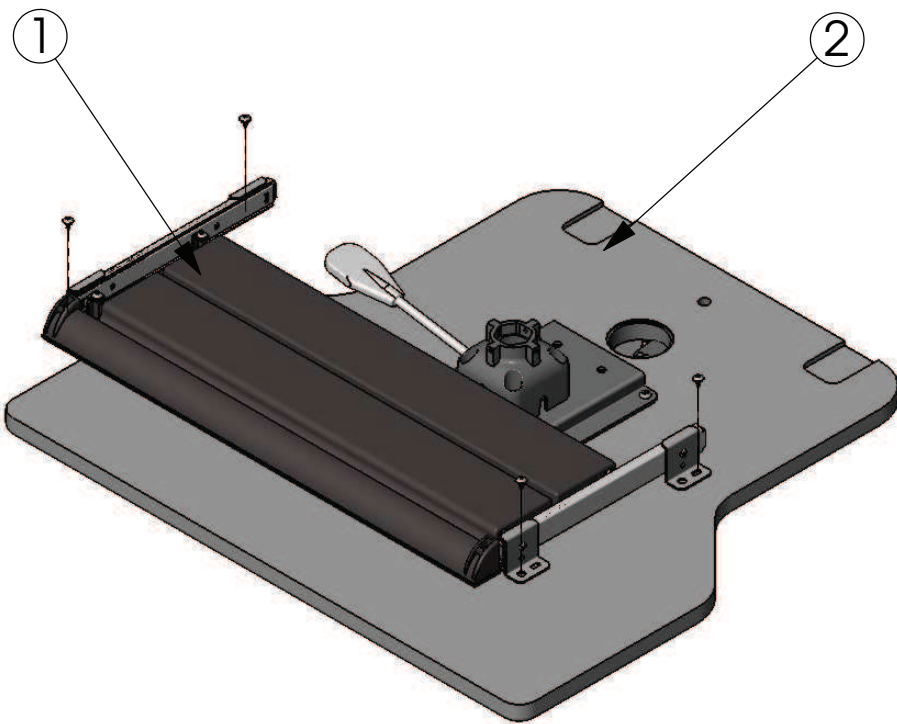
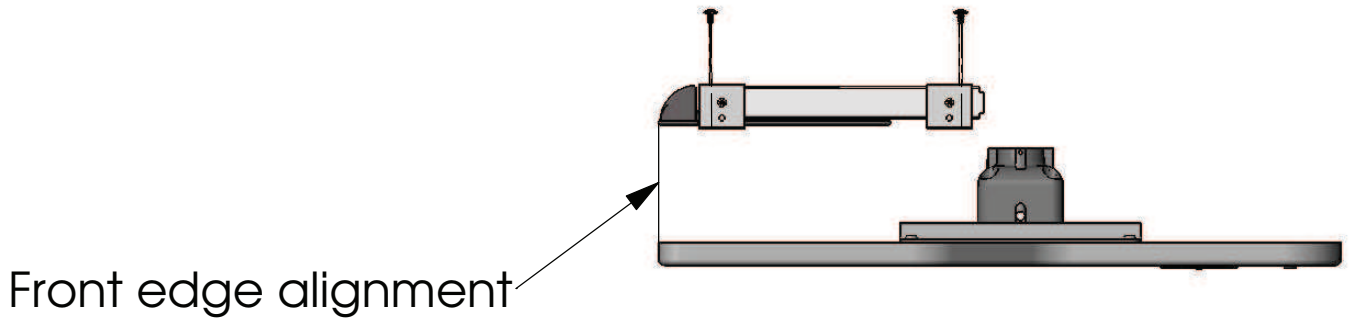


P/N: #24-53 & P23-40-06  
Installation guide



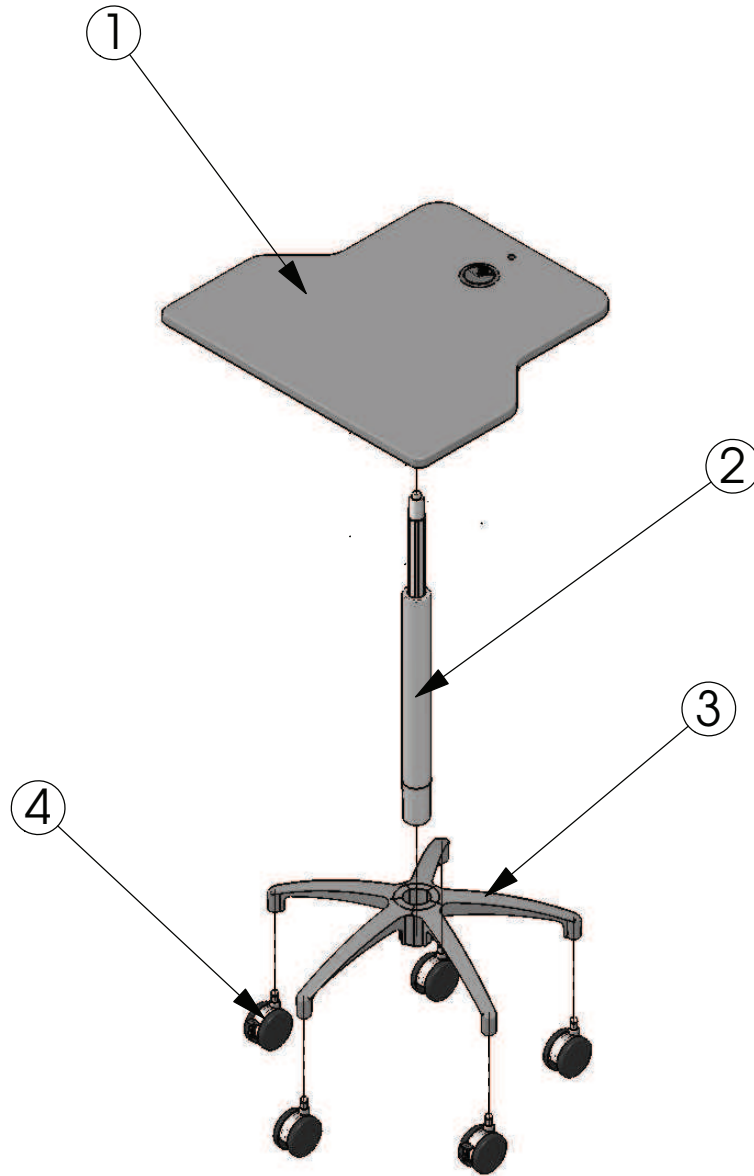
ITEM NO.	PART NO.	DESCRIPTION	Q'TY
1	24-53	T shape MDF platform	1
2	P23-40-06	Bracket with medium control lever	1

P/N: #24-53/Bracket/drawer  
Installation guide



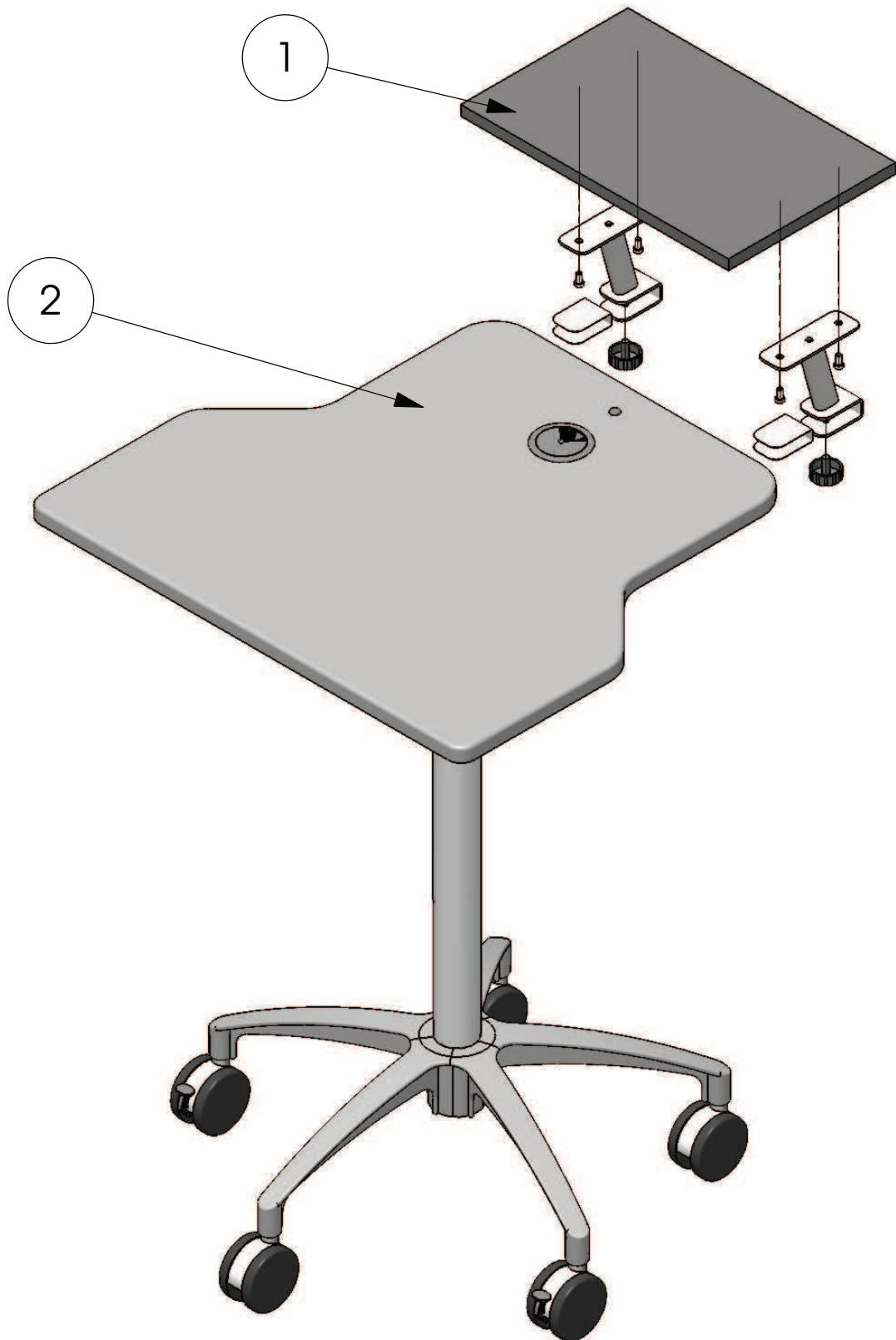
ITEM NO.	PART NO.	DESCRIPTION	Q'TY
1	60001-E	Mini pencil drawer	1
2	24-53A	T shape MDF platform with bracket assembly	1

P/N: #60252-03B SERIES  
Computer mobile cart  
Installation guide



ITEM NO.	PART NO.	DESCRIPTION	QTY
1	24-53 & P23-40-06	T shape MDF platform & bracket	1
2	23-40	Pneumatic lift cylinder	1
3	P25-28-01A	Aluminium wheel base	1
4	P25-28-02	5 pcs x 3" caster (2 pcs with brake)	1

P/N: #60252-S3B SERIES  
Monitor/printer shelf installation guide



ITEM NO.	PART NO.	DESCRIPTION	Q'TY
1	P60257-01	Monitor/printer shelf	1
2	60252-03B	Pneumatic lift computer mobile cart	1