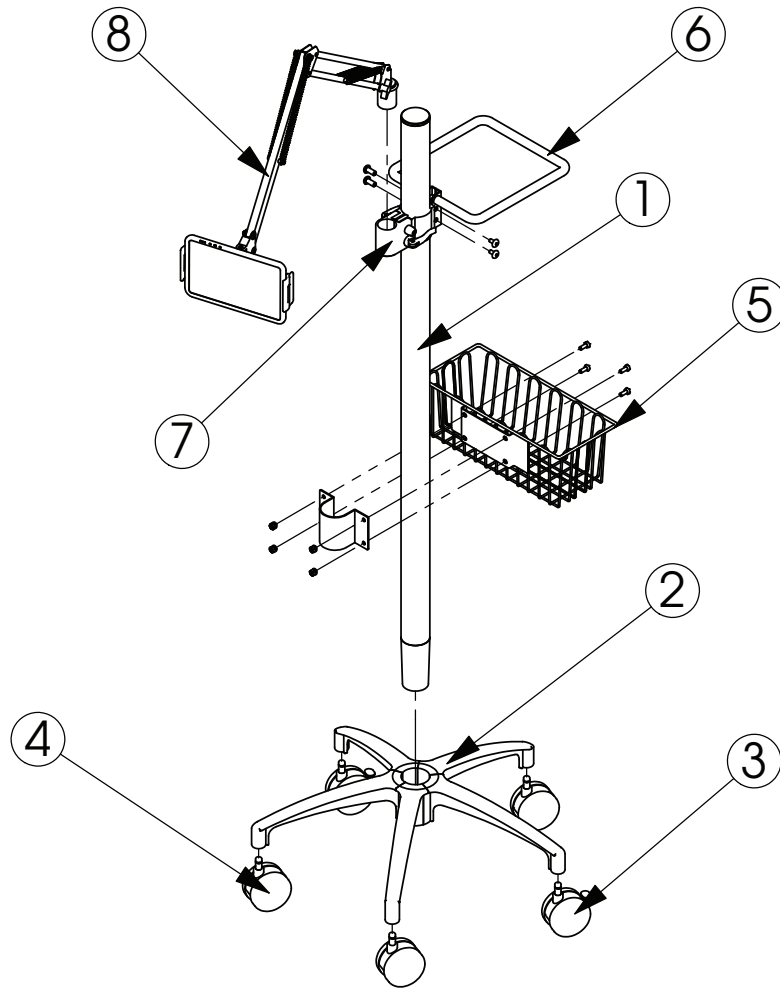


P/N: #60250-BPB SERIES

Mobile adjustable tablet holder



ITEM NO.	PART NO.	DESCRIPTION	QUANTITY
1	23-24	2" x 48" pole	1
2	P25-28-01A	Aluminium wheel base	1
3	P25-28-02B	3" caster (with brake)	2
4	P25-28-02N	3" caster (without brake)	3
5	P60250-19	Loop basket for 2" pole	1
6	P60250-10	Mobile cart handle	1
7	25-40QD	Single quick mount 2" dental pole clamp	1
8	60226-BP	Foldable arm tablet holder	1