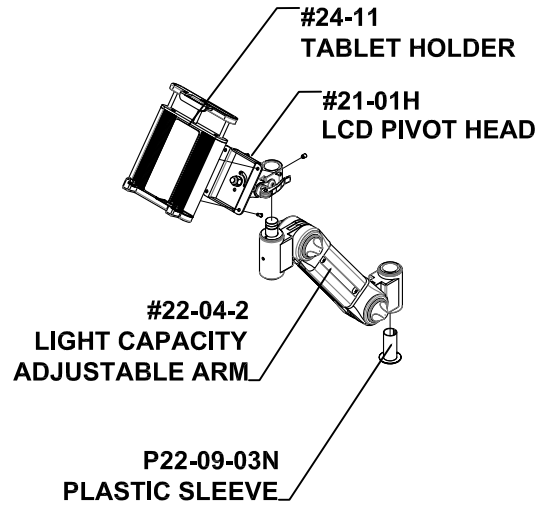
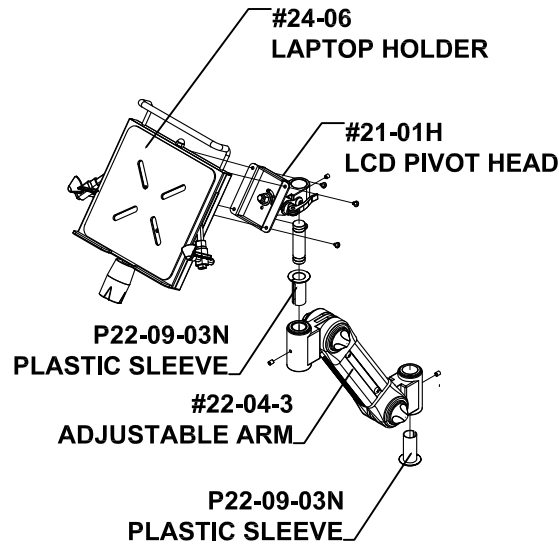


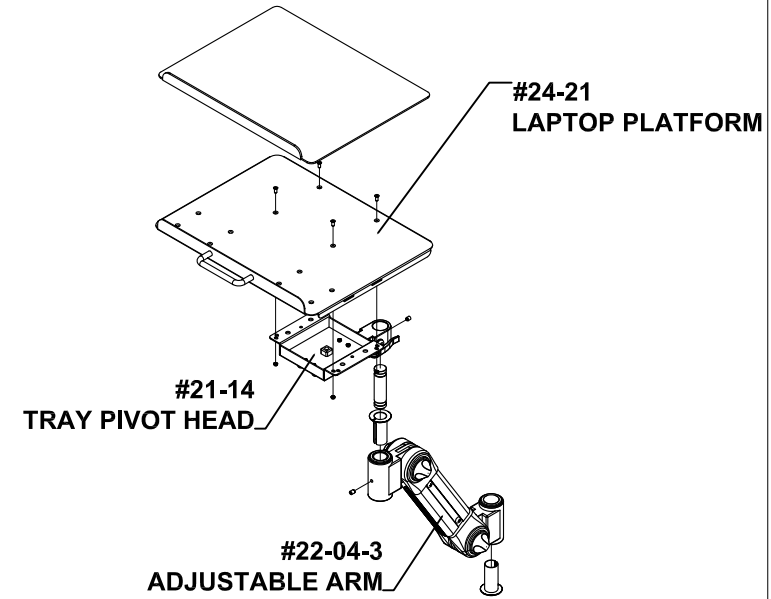
# #60223 SERIES ADJUSTABLE HOLDER INSTALLATION GUIDE



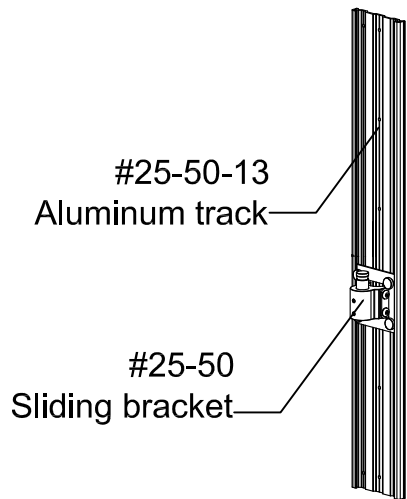
#60223-6E



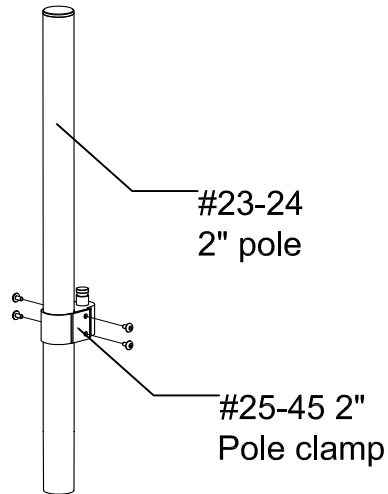
#60223-16



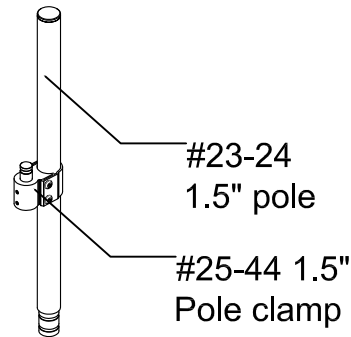
#60223-13



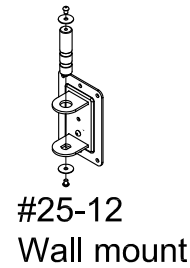
#25-50  
Track mount



#23-24 2" pole &  
#25-45 2" pole clamp



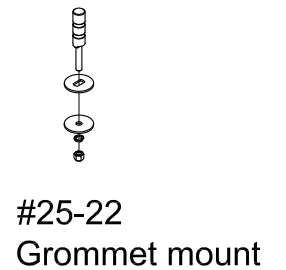
#23-34 1.5" pole &  
#25-44 1.5" pole clamp



#25-15  
Wall mount



#25-25  
Die casting base



#25-03 C-clamp  
with high pin