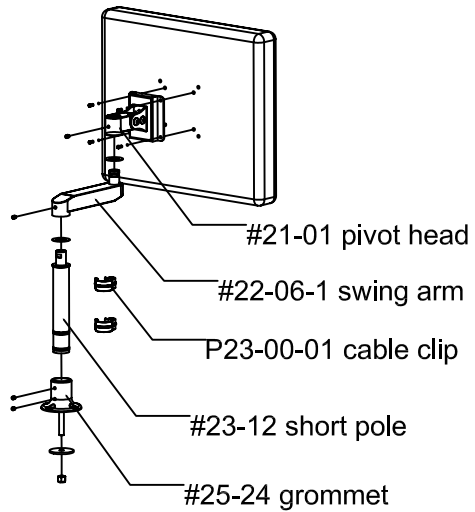
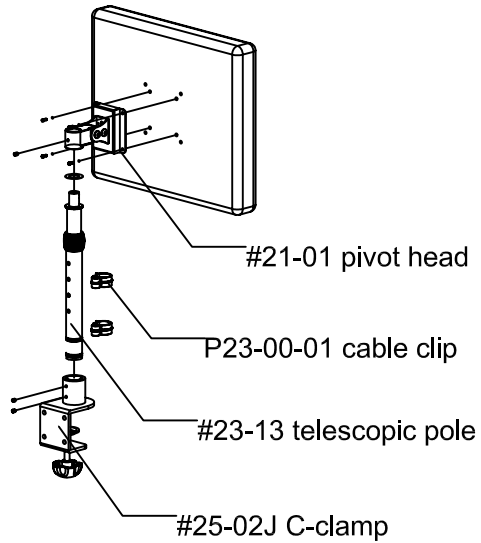


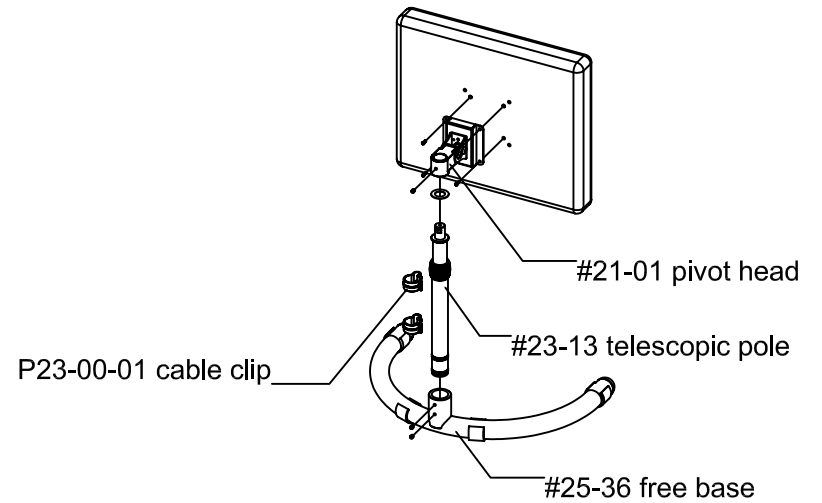
# #60217 SERIES SINGLE LCD MOUNTS INSTALLATION GUIDE



**#60217-EAT**



**#60217-D0P**



**#60217-D0F**

