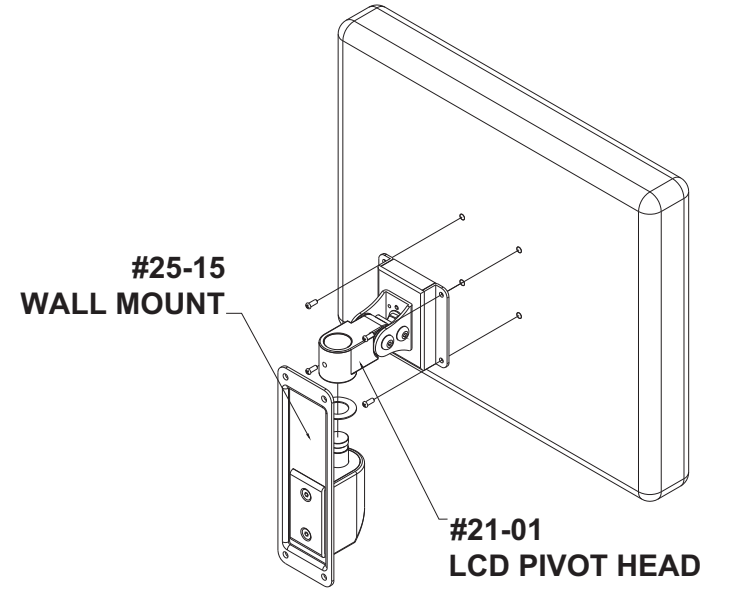
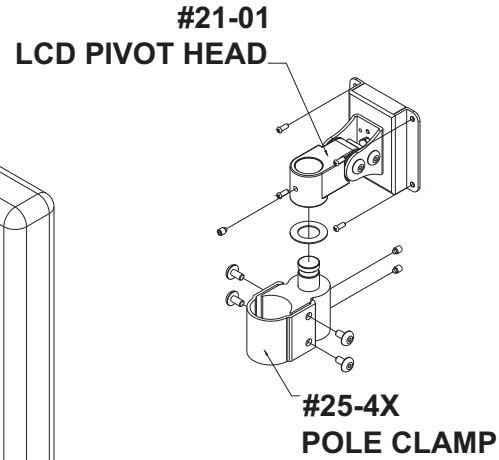
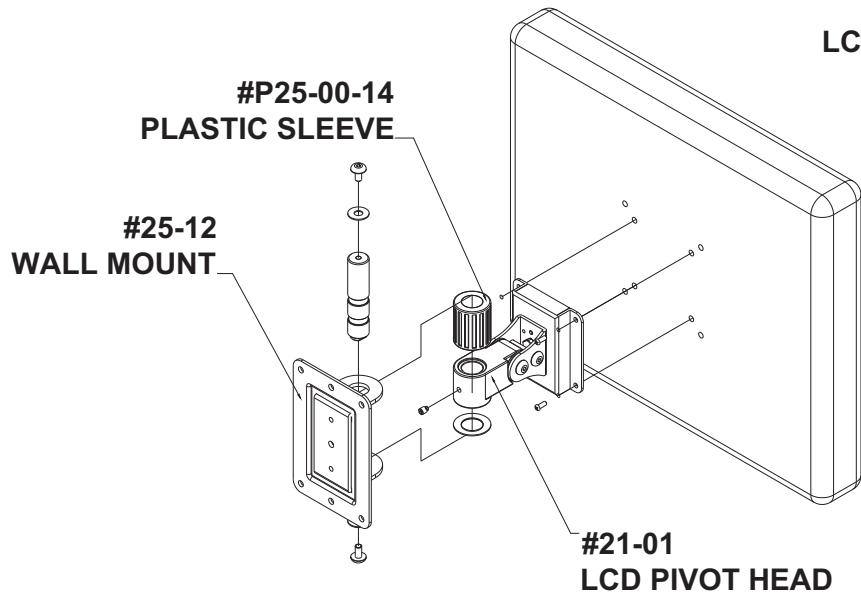
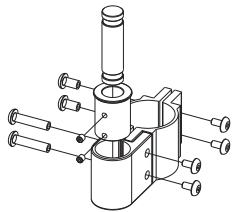


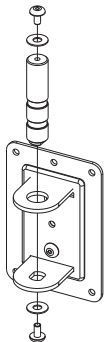
#60216 SERIES LCD MOUNT BRACKET INSTALLATION GUIDE



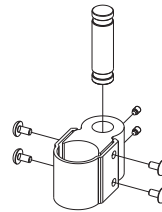
#25-40 2" pole clamp



#25-12 wall mount



#25-44 1.5" pole clamp
#25-45 2" pole clamp



#25-15 Die casting
wall mount

