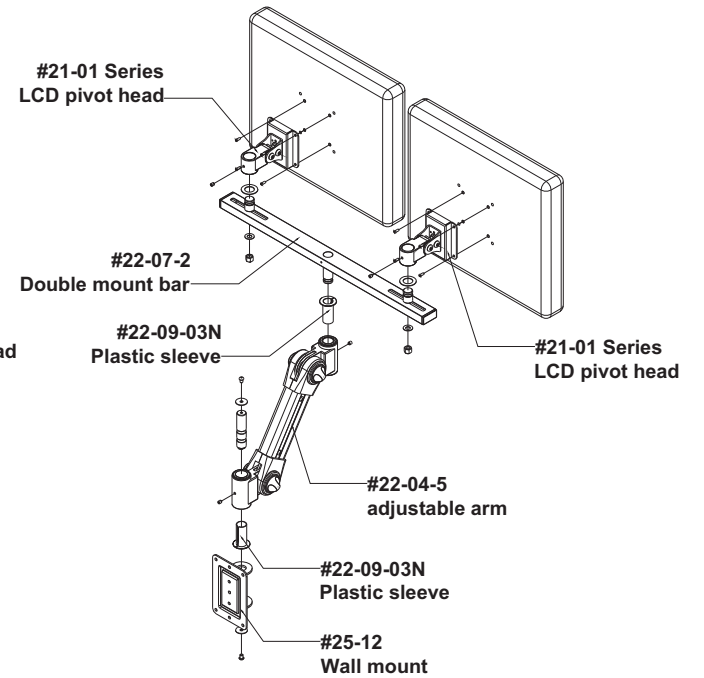
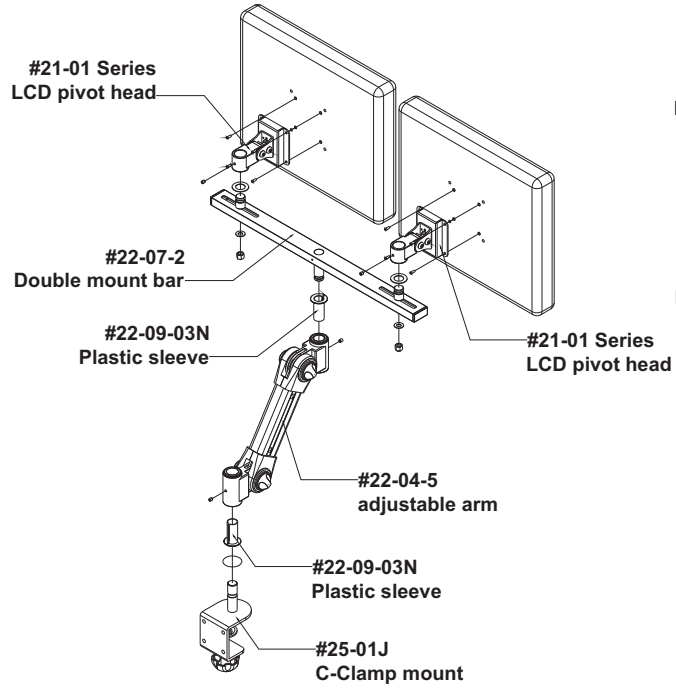
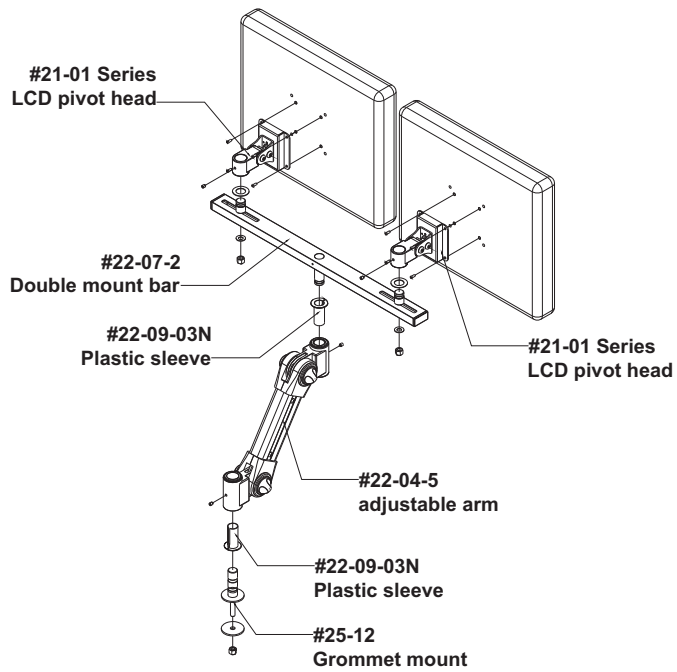


# #60210E/60212E/60220E SERIES DOUBLE LCD MOUNT INSTALLATION GUIDE



<p>#25-15 Die casting wall mount</p>	<p>Wall mount #25-12</p>	<p>C-clamp #25-01J</p>	<p>Grommet #25-22</p>	<p>Die casting base #25-25</p>	<p>Pole clamp #25-40, #25-44, #25-45, #25-55 &amp; #25-56</p>	<p>Track mount #25-50 plus #25-50-13</p>
--------------------------------------	--------------------------	------------------------	-----------------------	--------------------------------	---------------------------------------------------------------	------------------------------------------