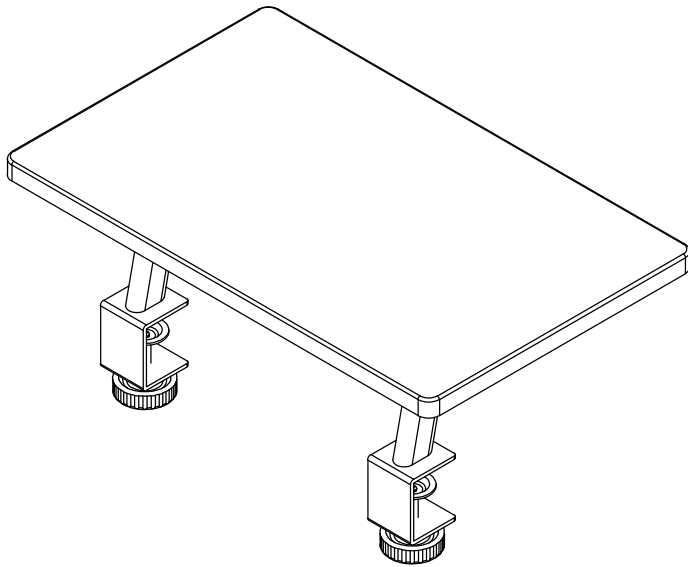
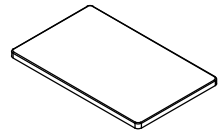


P/N : #60006-04M Desk-clamp monitor shelf

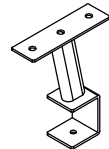


MAIN PARTS LIST

(A) MONITOR PANEL x1



(B) SUPPORT TUBE x2



(C) SCREWS(M6*12) x4



(D) Allen Wrench Hex/Phillips x1



ASSEMBLY STEPS

Using the (D) and (C) to assemble the tube (B) to the panel (A) as illustrated.

