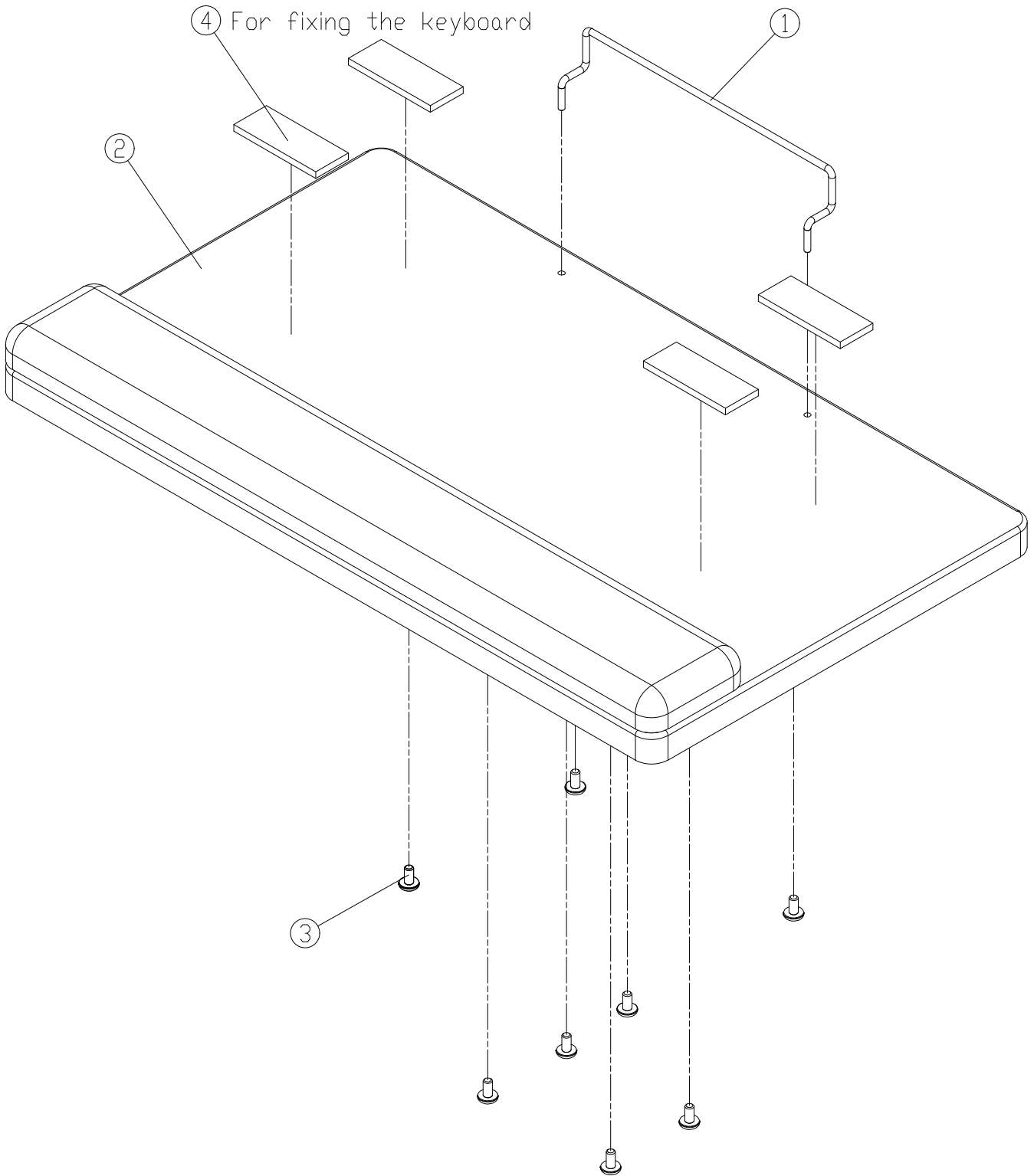


P/N : #24-08
MDF Keyboard platform assembly
Installation guide



Item No.	Part NO.	Description	Q'TY
1	P24-08-04	Stainless steel guard	1
2	P24-08	MDF Keyboard platform	1
3	P24-08-05	M4*L10 Phillips Truss Screw	8
4	P24-08-03V	Hook and Loop double side tape	4