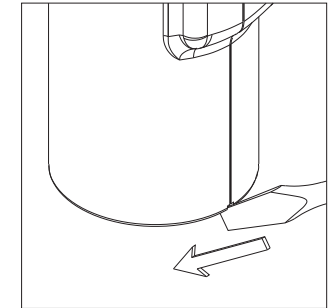
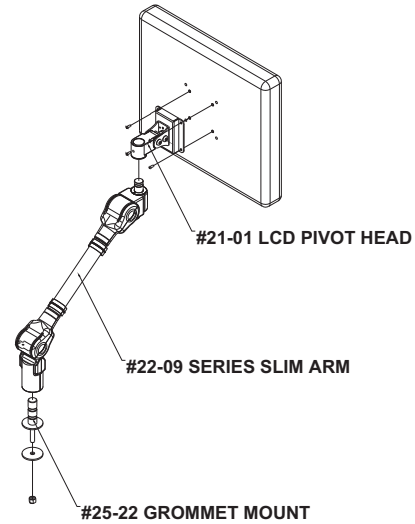
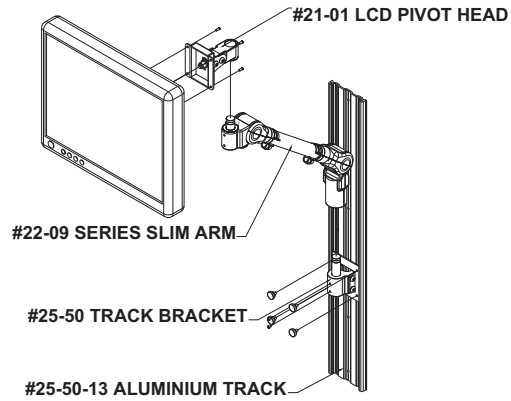
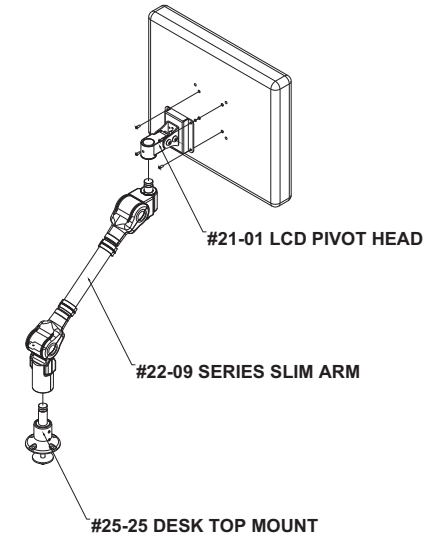
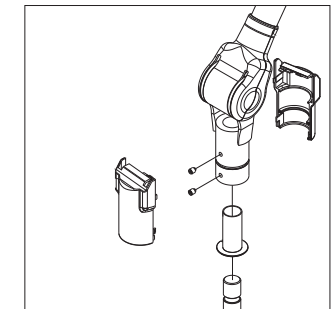
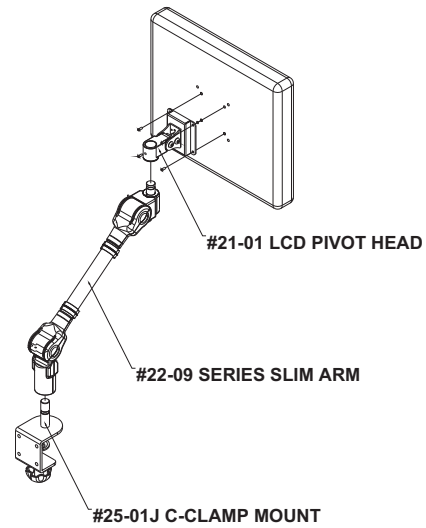
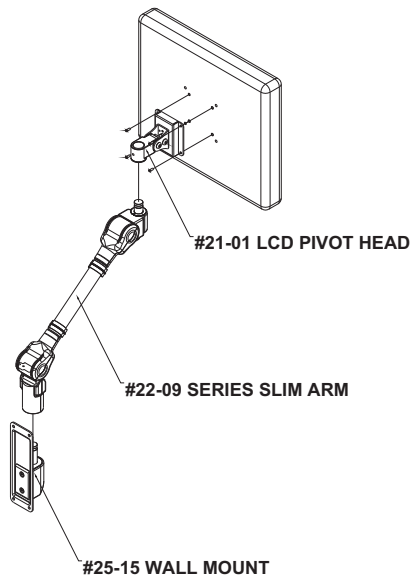
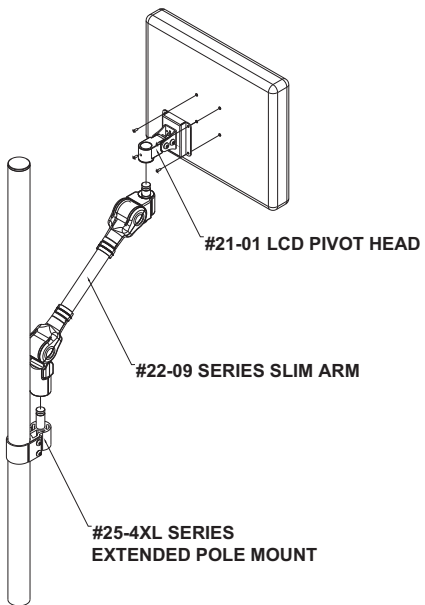


#22-09 SERIES SLIM ADJUSTABLE ARM FOR C-CLAMP MOUNT, VERTICAL SURFACE MOUNT AND DESK TOP MOUNT INSTALLATION GUIDE



To open the plastic cover on swivel base for driving the set screws



You may drive the set screws gently for tight junction or for anti-thief.